

超薄油压缸

SLIM OIL PRESSURIZED CYLINDER

HQ 系列

HQ系列

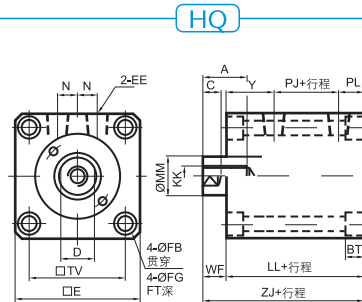
持续创新 引领未来



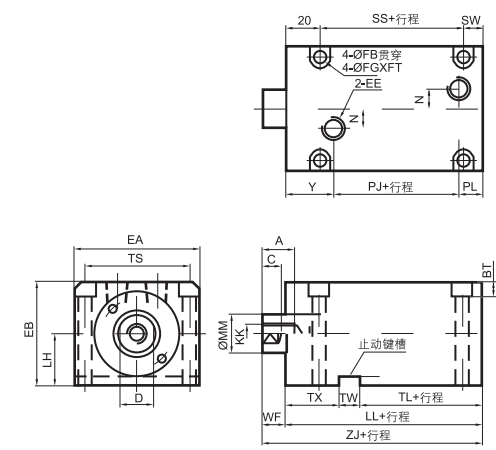
订购型号

| | | | | | | | |
|-----------|-------------------|-----------|----------|-----------|----------|----------|--|
| HQ | | 40 | | 25 | | 7 | |
| 超薄型油压缸 | | 内径 | | 行程(mm) | | 压力 | |
| HQ | 超薄型油压缸 (标准型) | HQ HQL | | 5 25 | 7 7MPa | | |
| HQL | 超薄型油压缸 (直角固定型) | Φ20 Φ25 | Φ32 Φ40 | 10 30 | 14 14MPa | | |
| | | Φ50 Φ63 | Φ50 Φ63 | 15 40 | | | |
| | | Φ80 Φ100 | Φ80 Φ100 | 20 50 | | | |

尺寸图



HQL



| 内径 | 记号 | | C | D | E | EA | EB | EE | FB | | FG | | KK | LH | LL | MM | N | PJ | PL | SS | SW | TL | TS | TV | TW | TX | WF | Y | ZJ | |
|------|----|------|------|----|----|-----|-----|-----|-------|-----|----|-----|------|----------|----|----|----|----|------|------|----|----|----|-----|-----|----|----|----|------|----|
| | A | BT | | | | | | | HQ | HQL | HQ | HQL | | | | | | | | | | | | | | | | | | |
| | SD | LA | | | | | | | HQ | HQL | HQ | HQL | | | | | | | | | | | | | | | | | | |
| Ø20 | 10 | 5.4 | - | 7 | 10 | 44 | - | - | PT1/8 | 5.5 | - | 9.5 | - | M8X1.25 | - | 43 | 12 | 0 | - | 12 | - | - | - | - | 30 | - | - | 8 | 20.5 | 51 |
| Ø25 | 12 | 5.4 | - | 7 | 12 | 50 | - | - | PT1/8 | 5.5 | - | 9.5 | - | M10X1.5 | - | 45 | 14 | 0 | - | 12 | - | - | - | - | 36 | - | - | 8 | 20.5 | 53 |
| Ø32 | 15 | 6.5 | 8.6 | 9 | 17 | 62 | 70 | 56 | PT1/4 | 7 | 9 | 11 | 14 | M12X1.75 | 25 | 54 | 20 | 10 | 16.5 | 10.5 | 24 | 10 | 14 | 56 | 47 | 12 | 28 | 10 | 27 | 64 |
| Ø40 | 20 | 8.6 | 10.8 | 9 | 21 | 70 | 80 | 64 | PT1/4 | 9 | 11 | 14 | 17.5 | M16X2.0 | 29 | 55 | 25 | 10 | 17 | 11 | 23 | 12 | 15 | 62 | 52 | 12 | 28 | 10 | 27 | 65 |
| Ø50 | 24 | 10.8 | 13 | 9 | 24 | 80 | 94 | 74 | PT1/4 | 11 | 14 | 18 | 20 | M20X2.5 | 34 | 60 | 30 | 10 | 21 | 11 | 27 | 13 | 17 | 74 | 58 | 14 | 29 | 11 | 28 | 71 |
| Ø63 | 33 | 13 | 15.2 | 11 | 30 | 94 | 114 | 89 | PT1/4 | 14 | 16 | 20 | 23 | M27X3.0 | 42 | 67 | 35 | 10 | 26 | 11 | 32 | 15 | 20 | 90 | 69 | 16 | 31 | 13 | 30 | 80 |
| Ø80 | 33 | 15.2 | 15.2 | 14 | 35 | 114 | 134 | 109 | PT3/8 | 16 | 16 | 23 | 23 | M30X3.5 | 52 | 78 | 40 | 15 | 28 | 15 | 41 | 17 | 28 | 110 | 86 | 16 | 34 | 17 | 35 | 95 |
| Ø100 | 40 | 17.5 | 17 | 14 | 50 | 134 | 160 | 129 | PT3/8 | 18 | 18 | 26 | 26 | M36X4.0 | 62 | 82 | 56 | 15 | 28 | 15 | 44 | 18 | 32 | 134 | 102 | 16 | 34 | 17 | 39 | 99 |